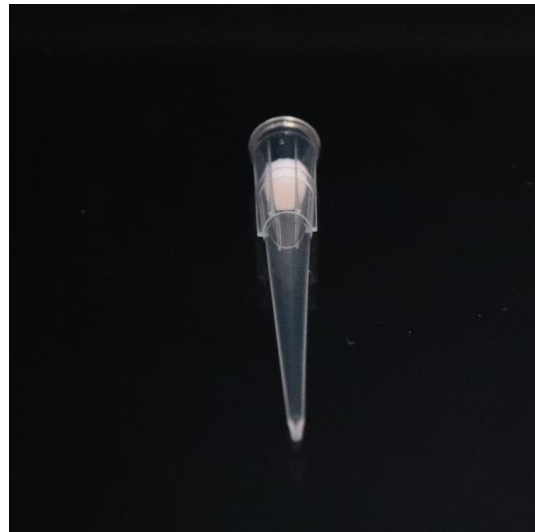
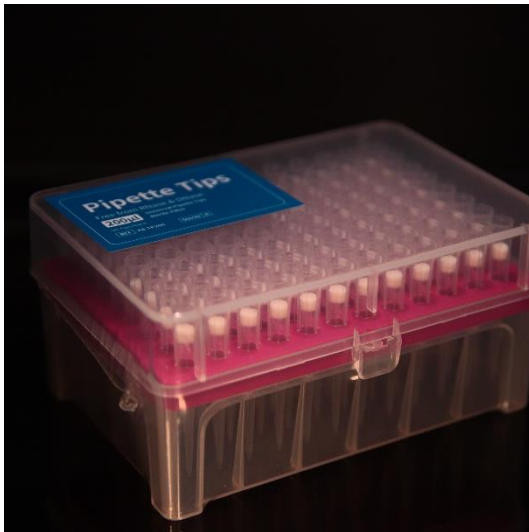
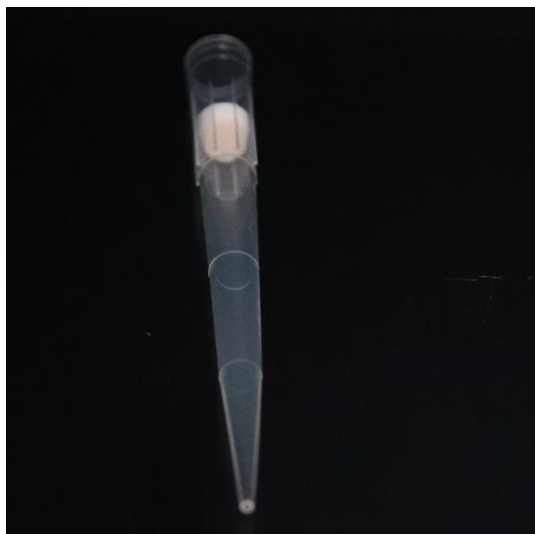


**Product:****FG Filter Tips****Cat. No. :**

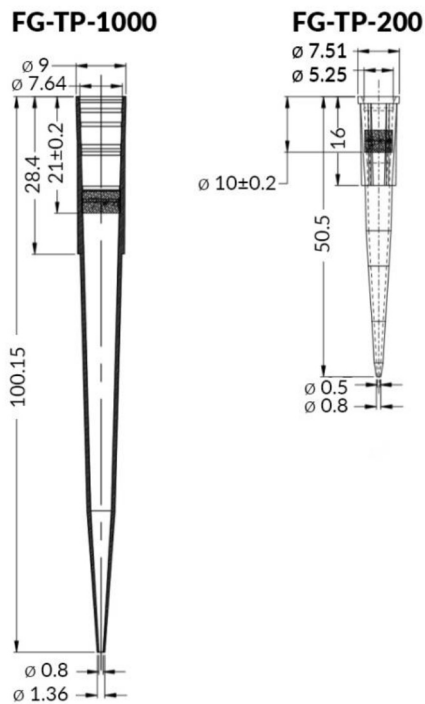
FG-TP-200, FG-TP-1000

**Category:***Sterile Filter Tips for molecular biology*

## Pictures

**FG-TP-200****FG-TP-1000**

## Measurements



## Compatibility Chart

Brand of Pipette	Eppendorf		Gilson		Rainin		Thermo	
	200 $\mu$ l	1000 $\mu$ l	200 $\mu$ l	1000 $\mu$ l	200 $\mu$ l	1000 $\mu$ l	200 $\mu$ l	1000 $\mu$ l
<b>FG-TP-200</b>	<b>X</b>		<b>X</b>		<b>X</b>		<b>X</b>	
<b>FG-TP-1000</b>		<b>X</b>		<b>X</b>		<b>X</b>		<b>X</b>

Distributed by:



Contact: [info@itk.nl](mailto:info@itk.nl) | 0297-568893